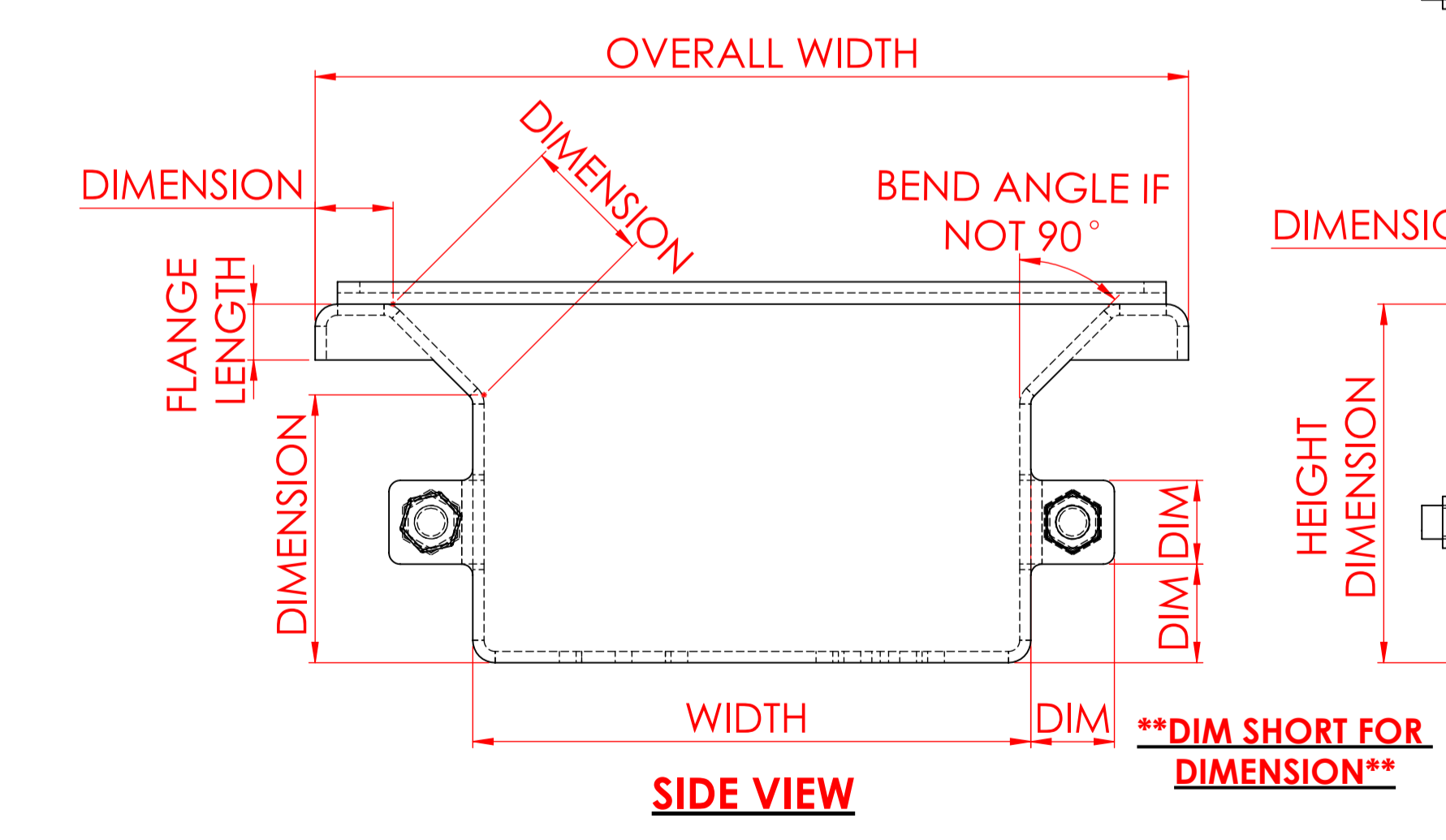
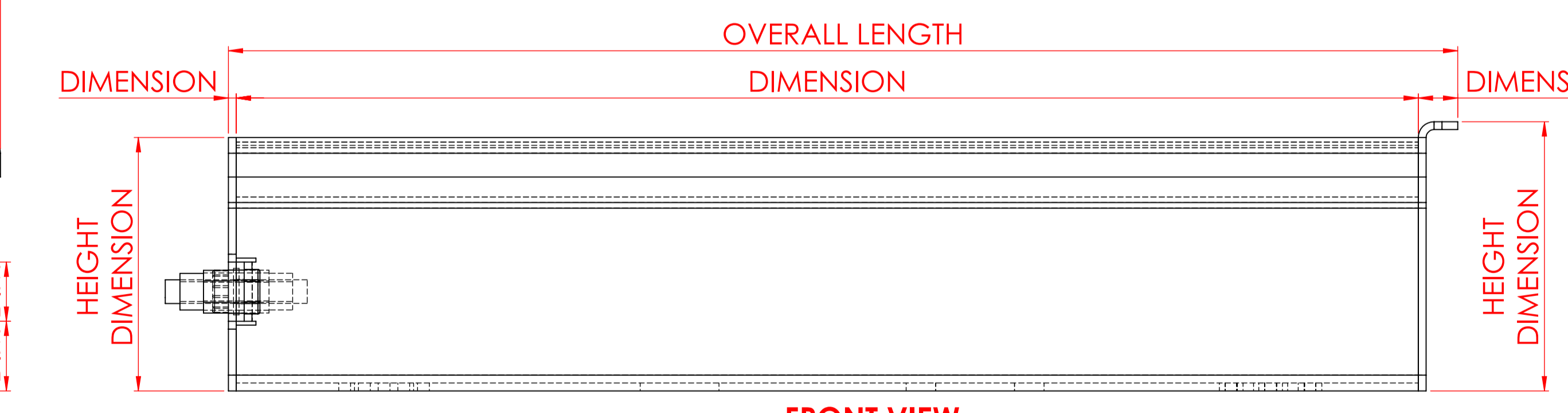
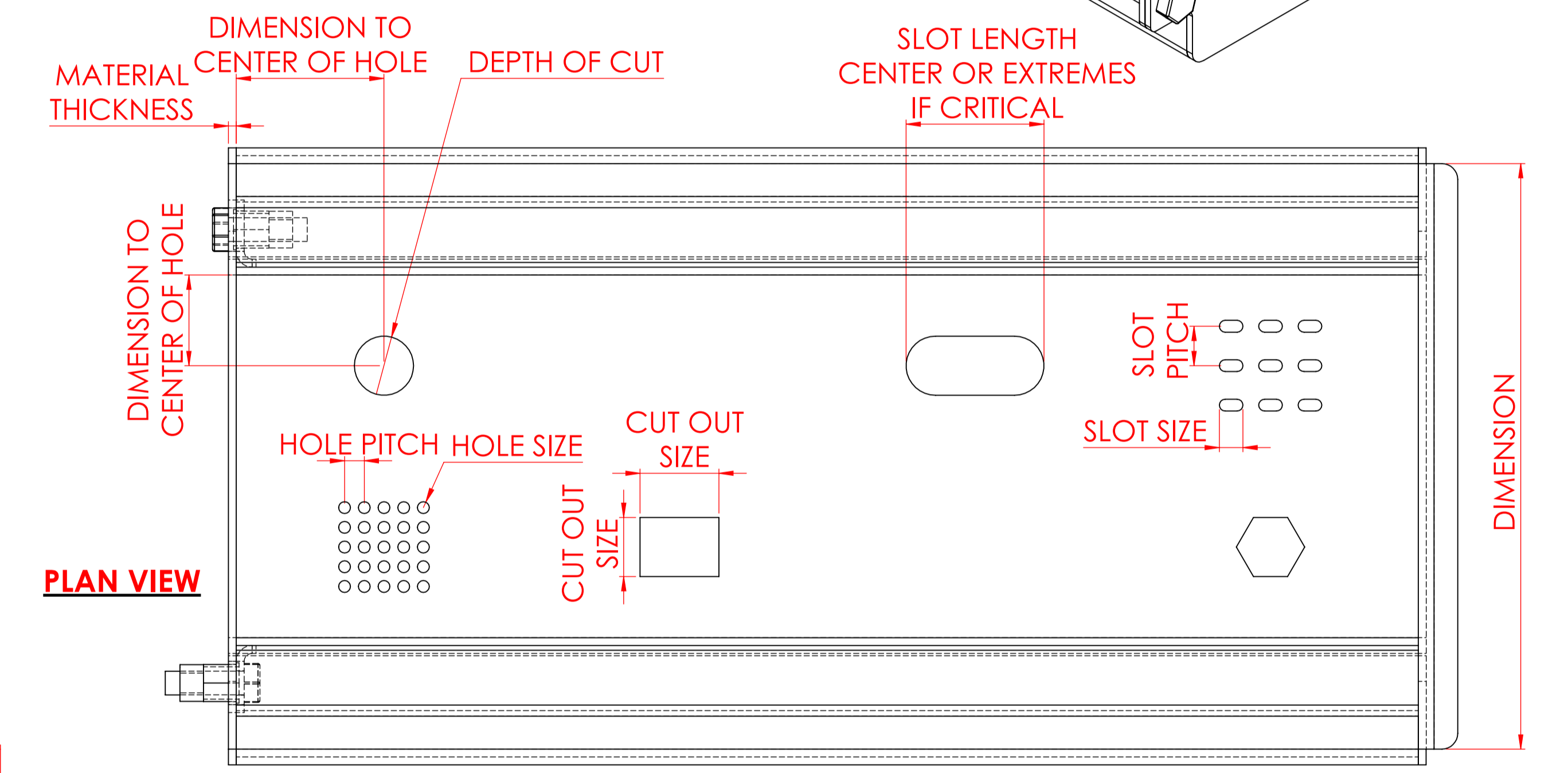
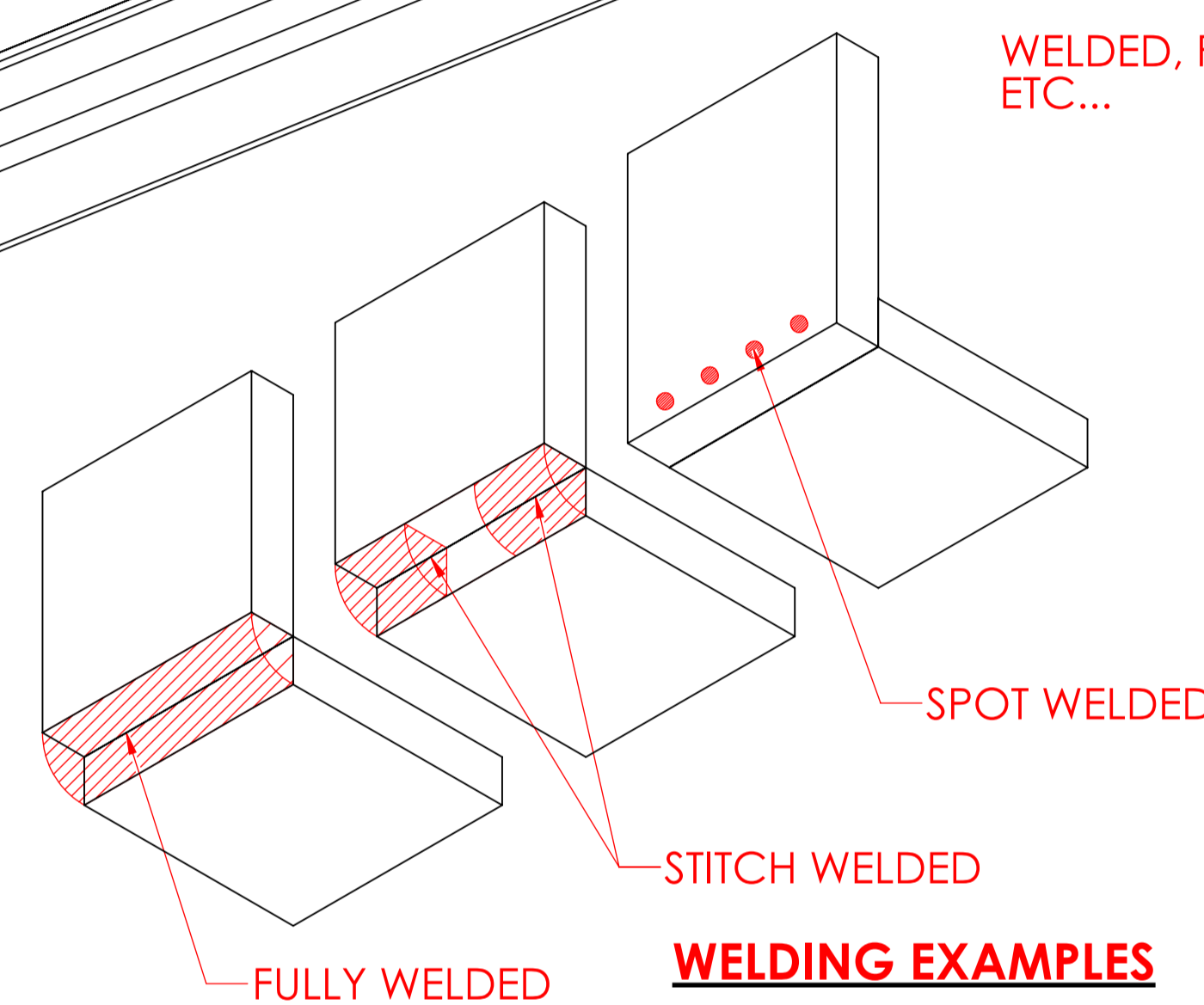
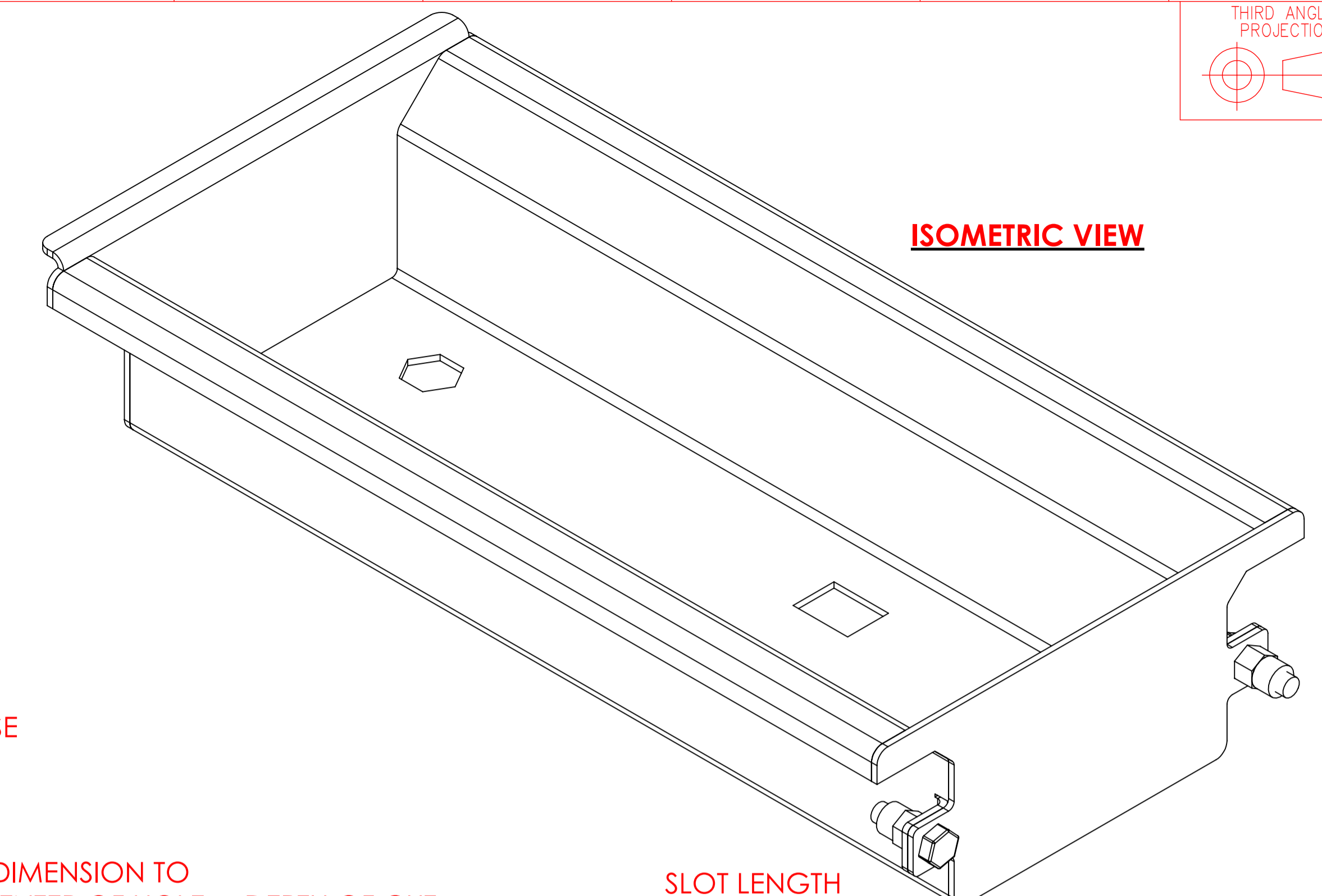
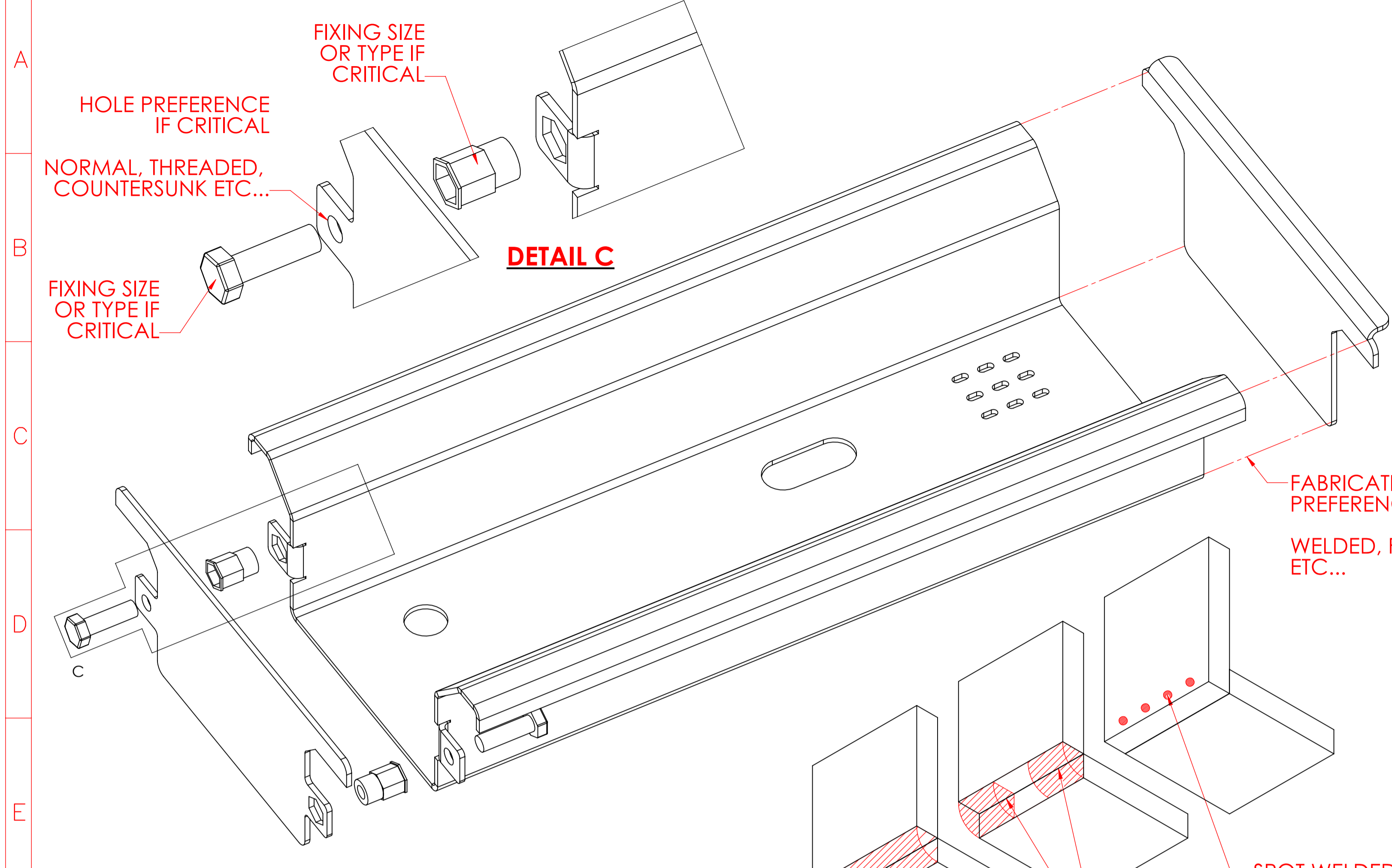
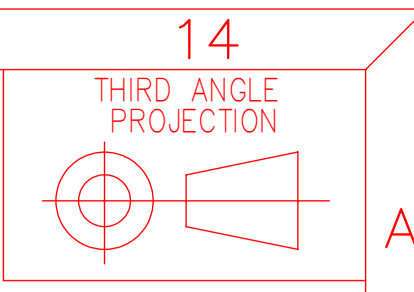


1 2 3 4 5 6 7 8 9 10 11 12 13 14



**TECHNICAL DRAWING CHECK LIST
PLEASE SPECIFY THE FOLLOWING:**

MATERIAL	
THICKNESS	
WELDING OR ASSEMBLY REQUIREMENTS	
TOLERANCES	
FIXINGS & DIRECTION OF FIT IF CRITICAL	
PAINT COLOUR FINISH - (RAL CODE IF KNOWN)	
GRAIN DIRECTION IF BRUSHED MATERIAL	
CURRENT REVISION OF YOUR PART	
MEASUREMENT UNITS	

PART NUMBER:

DESCRIPTION:

COMPANY NAME: DATE:

CONTACT PHONE NUMBER:

CONTACT NAME: DRAWING REVISION:

FOR ASSISTANCE PLEASE CONTACT - sales@hitherbest.co.uk

1 2 3 4 5 6 7 8 9 10 11 12 13 14